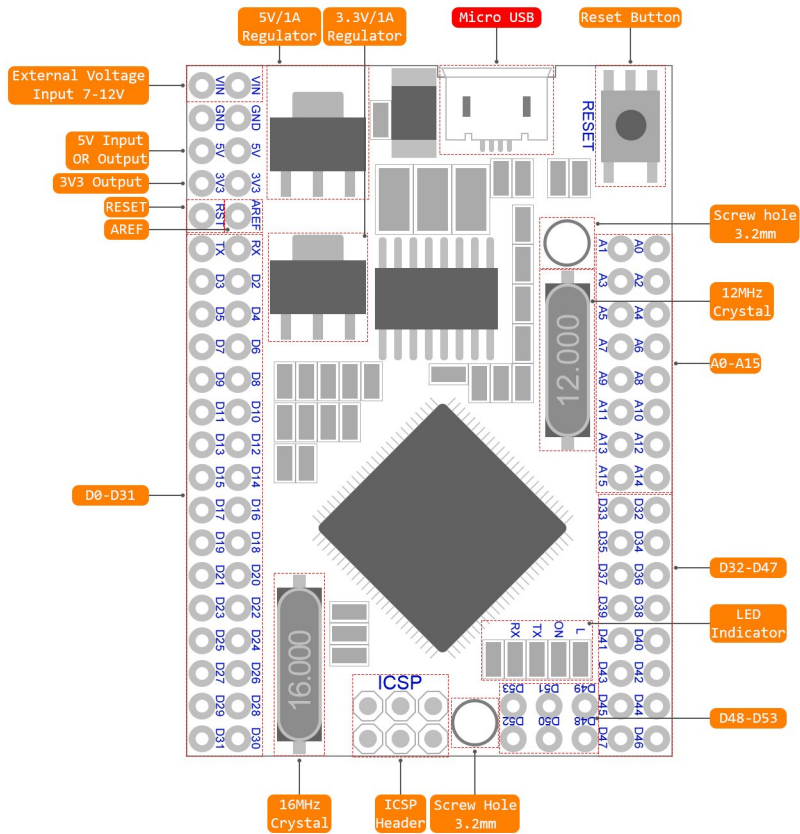
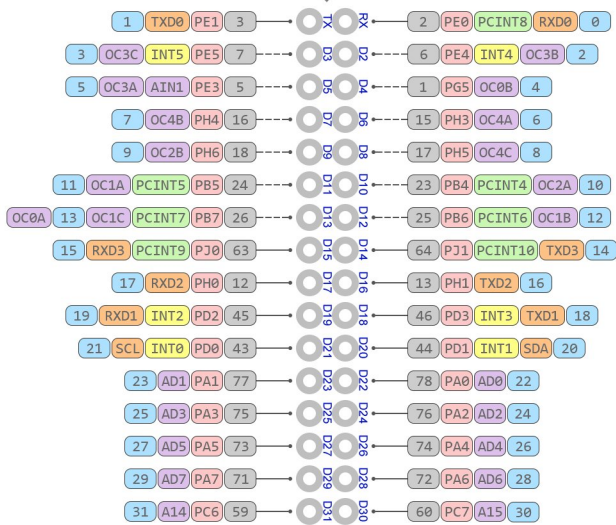


**MEGA PRO CH340G
/ATmega2560**



D0-D31



- PWM-Wire
- Power
- Control
- GND
- Analog Pin
- Physical Pin
- Port Pin
- Serial Pin
- Interrupt Pin
- Pin function
- INT
- Arduino